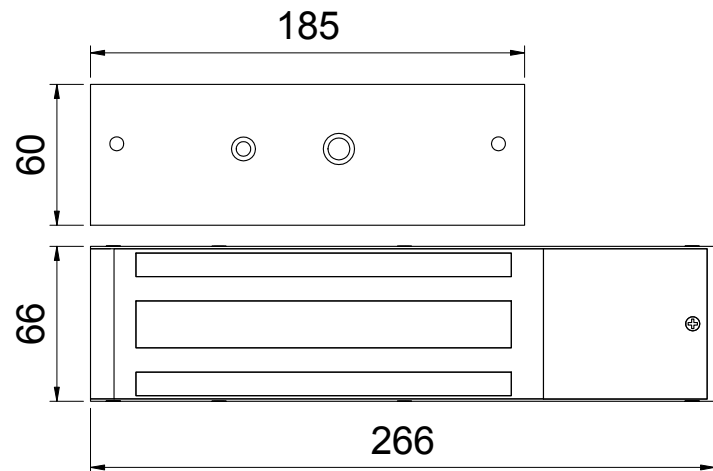
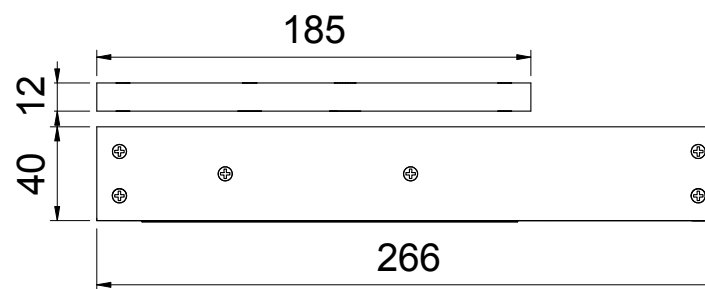


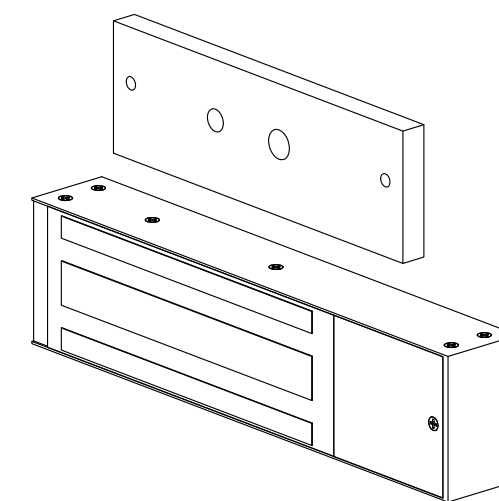
02 Side View
1 : 3



03 Front View
1 : 3




04 Top View
1 : 3



01 3D View

Surface Slimline Single Magnet		
Item	Description	Finish Option
KEM-V5SR	KCC Surface Slimline Single Magnet up to 1100lbs / 500kg Holding Force. Monitored & Visual Status Indicators	Brushed Aluminium

Rev	Date	Description	Initial
Title : KEM-V5SR			
Contract : KCC GROUP			
Scales are as shown, original drawing size A3			
		Creator : IN	
		Checked by : SQ	
		Scale : N.T.S	
		First issue : 15-10-2020	
		Project No :	
DRG No :		Rev	